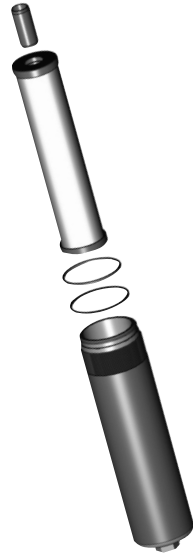


Manifold Filter Kit

RMF60



Features and Benefits

- Allows for effective filtration in customer's manifold

30 gpm
115 L/min
6000 psi
415 bar

NF30
NFS30
YF30
CFX30
PLD
DF40
CF40
PF40
RFS50
RF60
CF60
CTF60
VF60

LW60
KF30
TF50
KF50
KC50
MKF50
KC65
NOF30-05
NOF50-760
FOF60-03
NMF30



INDUSTRIAL



AUTOMOTIVE
MANUFACTURING



MACHINE
TOOL



STEEL
MAKING



MOBILE
VEHICLES



PULP & PAPER



AGRICULTURE

Applications

Flow Rating:	Up to 30 gpm (115 L/min) for 150 SUS (32 cSt) fluids
Max. Operating Pressure:	6000 psi (415 bar)*
Min. Yield Pressure:	18,000 psi (1240 bar)*
Rated Fatigue Pressure:	2300 psi (159 bar)*
Temp. Range:	-20°F to 225°F (-29°C to 107°C)
Element Case:	Steel
Element Change Clearance:	3.0" (75 mm)

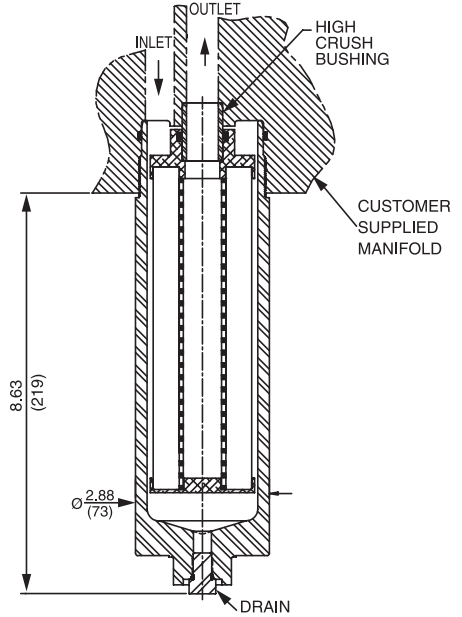
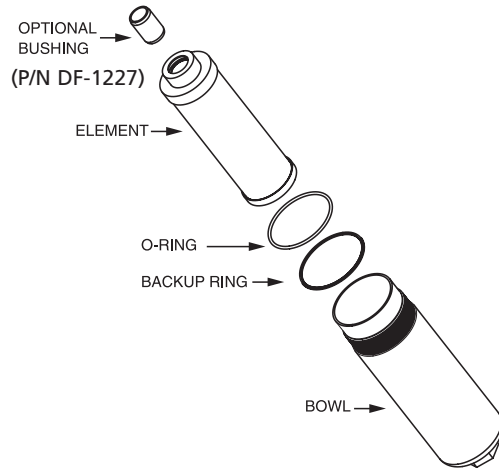
*Only with manifold material properties equivalent to AISI 1018 C.R.S.

Filter Housing Specifications

RMF60

Cartridge
Elements

HS60
MHS60
KFH50



Manifold kit consists of element, o-ring, backup ring and bowl. Bushing is optional depending on machined cavity style. For manifold machining details, request drawing D-10536 from factory.

Metric dimensions in ().

Element Performance Information

Element	Filtration Ratio Per ISO 4572/NFPA T3.10.8.8 Using automated particle counter (APC) calibrated per ISO 4402			Filtration Ratio wrt ISO 16889 Using APC calibrated per ISO 11171		Dirt Holding Capacity gm
	$\beta_x \geq 75$	$\beta_x \geq 100$	$\beta_x \geq 200$	$\beta_x(c) \geq 200$	$\beta_x(c) \geq 1000$	
8RZX3	<1.0	<1.0	<2.0	4.7	5.8	N/A
8RZX10	7.4	8.2	10.0	8.0	9.8	N/A

Element Collapse Rating: 3000 psid (210 bar)
 Flow Direction: Outside In
 Element Nominal Dimensions: 2.18" (55 mm) O.D. x 8.15" (206 mm) long

Pressure Drop Information

Based on Flow Rate and Viscosity

$\Delta P_{\text{element}}$

$\Delta P_{\text{element}} = \text{flow} \times \text{element } \Delta P \text{ factor} \times \text{viscosity factor}$

El. ΔP factors @ 150 SUS (32 cSt):

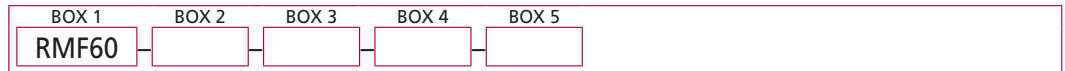
8RZX3 N/A
 8RZX10 N/A

If working in units of bars & L/min, divide above factor by 54.9.

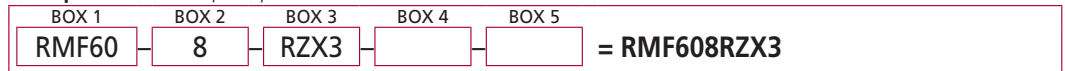
Viscosity factor: Divide viscosity by 150 SUS (32 cSt).

Filter Model Number Selection

How to Build a Valid Model Number for a Schroeder RMF60:



Example: NOTE: One option per box



NOTES:

Box 2: Replacement element part numbers are a combination of Boxes 2, 3, and 4. Example: 8RZX3V

Box 4: Viton® is a registered trademark of DuPont Dow Elastomers.

BOX 1	BOX 2	BOX 3	BOX 4	BOX 5
Filter Series	Element Length	Element Size and Media	Seal Material	Bushing
RMF60	8	RZX3 = E size 3 µ Excellement® Z-Media® (high collapse center tube) RZX10 = E size 10 µ Excellement® Z-Media® (high collapse center tube) RZX25 = E size 25 µ Excellement® Z-Media® (high collapse center tube)	Omit = Buna N V = Viton® H = EPR	Omit = Included N = Not included