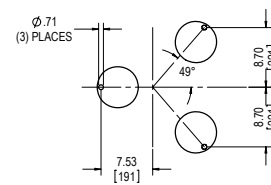
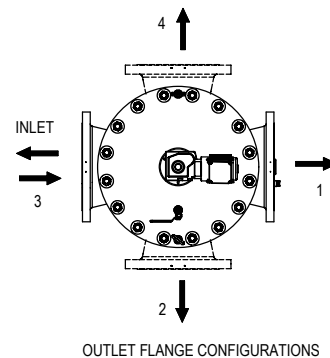
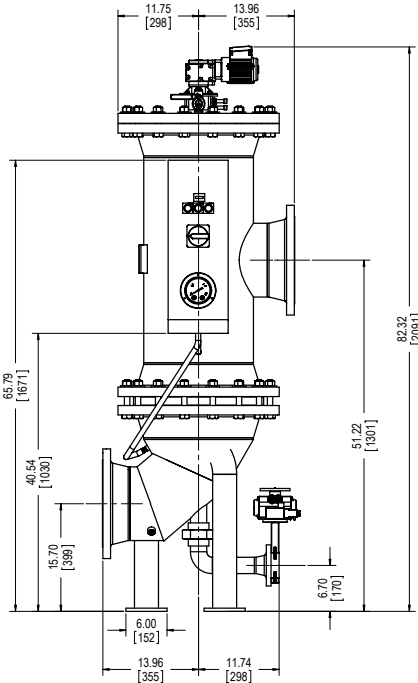
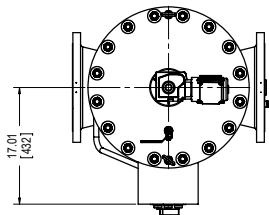


RF3-2.5

Backflushing Filter AutoFilt® RF3

1760-2640
gpm
6670-10,000
L/min

150 psi
10 bar



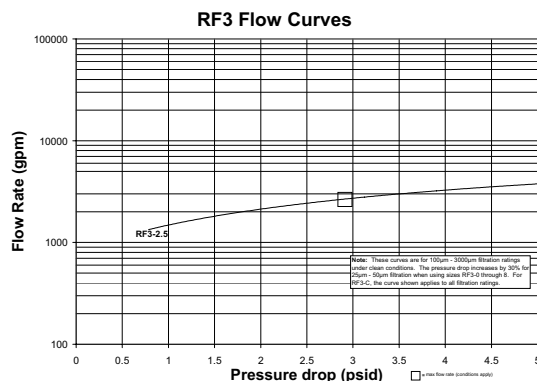
NOTES:

1. Metric dimensions in ().
2. Drawings may change without notice. Contact factory for certified drawings.

Specifications

Flange Size:	10"ANSI
Flow Range:	1760-2640 gpm (6670-10,000 L/min)
Working Pressure:	150 psi (10 bar)
Max. Working Temperature:	194°F (90°C)
Empty Weight:	990 lbs. (450 kg)
Housing Volume:	50 gallons (190 L)
Filter Area:	1940 in. ² (12,500 cm ²)
No. of Filter Elements	6
Backflush Flange Size:	2"ANSI
Backflush Volume:	17 gallons (65 L/cycle) Electric-Pneumatic Controls (EPT) 85 gallons (325 L/cycle) All Electric Controls (EU)

Pressure Drop Information Based on Flow Rate and Viscosity



Backflushing Filter AutoFit® RF3

RF3-2.5

How to Build a Valid Model Number for a RF3:

BOX 1	BOX 2	BOX 3	BOX 4	BOX 5	BOX 6	BOX 7	BOX 8	BOX 9	BOX 10	BOX 11
RF3	2.5									

Example: NOTE: One option per box

BOX 1	BOX 2	BOX 3	BOX 4	BOX 5	BOX 6	BOX 7	BOX 8	BOX 9	BOX 10	BOX 11
RF3	2.5	EPT8	NG	N	5	3	2	KS1000	2.5	ASME

= RF3-2.5-EPT8-NG-N-5-3-2 /KS1000-2.5-ASME

BOX 1	BOX 2	BOX 3	BOX 4	BOX 5
Filter Series	Filter Size	Drive Control / Connecting Voltage	Housing Material and Coating	Shut-Off Valve Material
RF3	2.5	EPT = Electric pneumatic cycle control, Δp dependent EU = Electric control, Δp dependent PT = Pneumatic cyclic control, Δp dependent PTZ = Pneumatic cyclic timed control 7 = 3X415V/N/PE 60Hz 8 = 3X460V/X/PE 60Hz B = 3X575V/X/PE 60Hz E = 1X230V/N/PE 60Hz F = 1X110V/N/PE 60Hz	N = Standard Steel 1.0038, outside primed NM = Standard Steel 1.0038, outside primed, inside metallogal painted NG = Standard Steel 1.0038, outside primed, inside rubber coated E = Stainless Steel 1.4571 A = With ANSI-flanged, add. A at the end	N = Standard Steel E = Stainless Steel

BOX 6	BOX 7	BOX 8	BOX 9
Differential Pressure Gauge	Flange Position	Modification Number	Element Set
1 = Pressure Chamber, Aluminum 3.258302 2 = Pressure Chamber, Stainless Steel 1.4305 3 = With Chemical Seal Stainless Steel 316TI 5 = HDA 4700 Stainless Steel 6 = HDA 4300 Duplex Stainless Steel	1 = Filter outlet opposite filter inlet (standard) 2 = Filter outlet offset 90° clockwise to standard 3 = Filter outlet offset by 180° clockwise to standard 4 = Filter outlet offset by 270° clockwise to standard	2 = Latest version supplied by factory	KD25 = Conical SuperMesh™ KD40 = Conical SuperMesh™ KS50 = Conical Slotted Tubes KS100 = Conical Slotted Tubes KS200 = Conical Slotted Tubes KS300 = Conical Slotted Tubes KS400 = Conical Slotted Tubes KS500 = Conical Slotted Tubes KS1000 = Conical Slotted Tubes KS1500 = Conical Slotted Tubes KS2000 = Conical Slotted Tubes KS2500 = Conical Slotted Tubes KS3000 = Conical Slotted Tubes

BOX 10	BOX 11
Size of Element Set	Vessel Certification
2.5	Omit = Standard Version ASME = ASME Version

Filter Model Number Selection

- RF3-C
- RF3-0
- RF3-1
- RF3-2
- RF3-2.5**

- RF3-3
- RF3-4
- RF3-5
- RF3-6
- RF3-7
- RF3-8

- RF5
- RF7
- RF10
- RF4
- RF4-1
- RF4-2

- RF12
- BTU
- ATF
- PLF1
- PVD

NOTES:
 Box 3. Needs to have control type and voltage selected ex. EPT8.
 Box 4. can contain two options ex. NMA.
 note. If ANSI flanges are not specified DIN style will be provided.