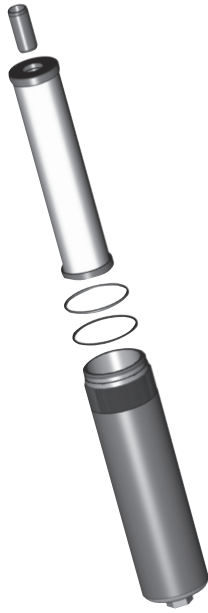


Manifold Filter Kit

NMF30



Features and Benefits

- Allows for effective filtration in customer's manifold

20 gpm
75 L/min
3000 psi
210 bar

NF30

NFS30

YF30

CFX30

PLD

DF40

CF40

PF40

RFS50

RF60

CF60

CTF60

VF60

LW60

KF30

TF50

KF50

KC50

MKF50

KC65

NOF30-05

NOF50-760

FOF60-03

NMF30

RMF60

Cartridge Elements

HS60

MHS60

KFH50

Applications



INDUSTRIAL



AUTOMOTIVE
MANUFACTURING



MACHINE
TOOL



STEEL
MAKING



MOBILE
VEHICLES



PULP & PAPER

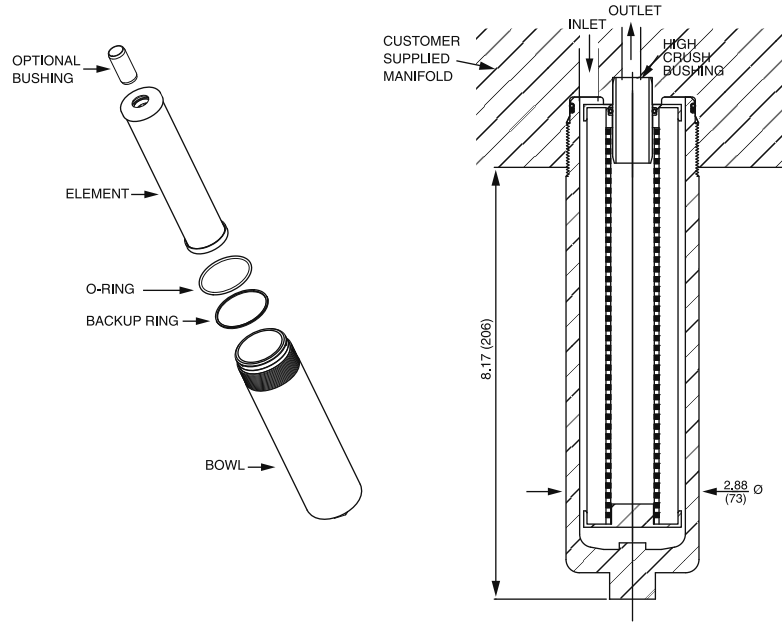


AGRICULTURE

Filter Housing Specifications

Flow Rating:	Up to 20 gpm (75 L/min) for 150 SUS (32 cSt) fluids
Max. Operating Pressure:	3000 psi (210 bar)*
Min. Yield Pressure:	10,000 psi (690 bar)*, per NFPA T2.6.1
Rated Fatigue Pressure:	2400 psi (185 bar)*, per NFPA T2.6.1
Temp. Range:	-20°F to 225°F (-29°C to 107°C)
Element Case:	Aluminum
Element Change Clearance:	4.50" (115 mm)

*Only with manifold material properties equivalent to aluminum 6061-T651.



Manifold kit consists of element, o-ring, backup ring and bowl. Bushing is optional depending on machined cavity style. For manifold machining details, request drawing D-9895 from factory.

Metric dimensions in ().

Element Performance Information

Element	Filtration Ratio Per ISO 4572/NFPA T3.10.8.8 Using automated particle counter (APC) calibrated per ISO 4402			Filtration Ratio wrt ISO 16889 Using APC calibrated per ISO 11171		Dirt Holding Capacity gm
	$\beta_x \geq 75$	$\beta_x \geq 100$	$\beta_x \geq 200$	$\beta_x(c) \geq 200$	$\beta_x(c) \geq 1000$	
NNZX3	<1.0	<1.0	<2.0	4.7	5.8	11*
NNZX10	7.4	8.2	10.0	8.0	9.8	13*

Element Collapse Rating: 3000 psid (210 bar)
 Flow Direction: Outside In
 Element Nominal Dimensions: 1.75" (45 mm) O.D. x 8.00" (200 mm) long

*Based on 100 psi terminal pressure

Pressure Drop Information Based on Flow Rate and Viscosity

$\Delta P_{\text{element}}$

$\Delta P_{\text{element}} = \text{flow} \times \text{element } \Delta P \text{ factor} \times \text{viscosity factor}$

El. ΔP factors @ 150 SUS (32 cSt):

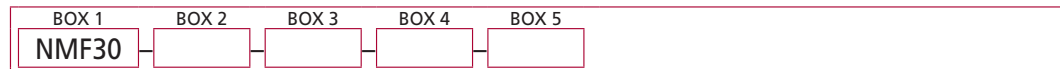
NNZX3 1.00
 NNZX10 .52

If working in units of bars & L/min, divide above factor by 54.9.

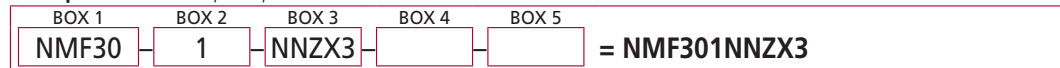
Viscosity factor: Divide viscosity by 150 SUS (32 cSt).

Filter Model Number Selection

How to Build a Valid Model Number for a Schroeder NMF30:



Example: NOTE: One option per box



NOTES:

Box 3. Replacement element part numbers are identical to contents of Boxes 3 and 4.

Box 4. For options V and W, all aluminum parts are anodized. Viton® is a registered trademark of DuPont Dow Elastomers.

BOX 1	BOX 2	BOX 3	BOX 4	BOX 5
Filter Series	Number of Elements	Element Part Number	Seal Material	Bushing
NMF30	1	NNZX3 = NN size 3 μ high collapse media NNZX10 = NN size 10 μ high collapse media NNZX25 = NN size 25 μ high collapse media	Omit = Buna N V = Viton® W = Buna N	Omit = Included N = Not included