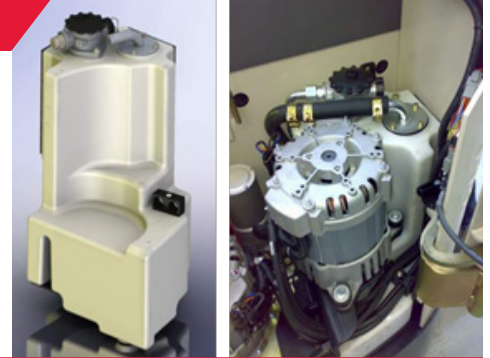


Plastic Tank Solution for Mobile Applications

Introduction

Many customers are increasingly interested in system solutions due to assembly, testing and warranty now becoming the responsibility of the supplier. With our proven plastic tank systems, Schroeder offers a competent and efficient solution. The package solution comes complete with all accessories installed, including a return line filter, breather, fluid level gauge, suction strainer and mounting strap. Upon arrival, it can be filled with fluid and connect to a circuit. It offers significant benefits to the customers.



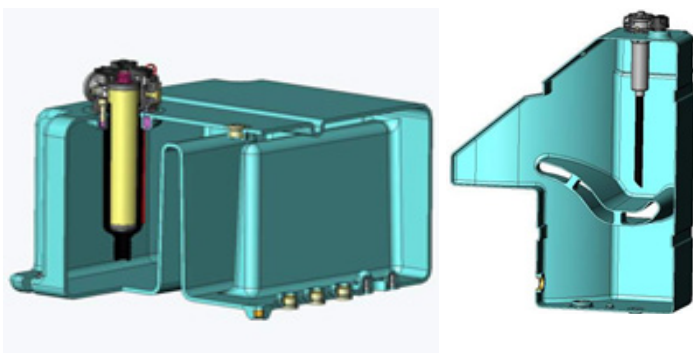
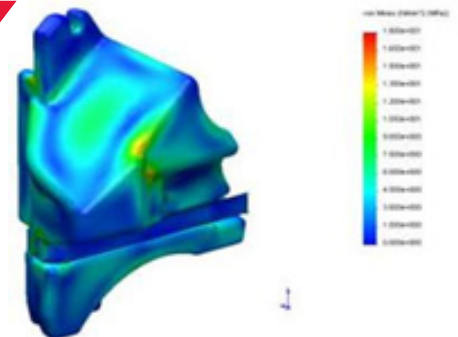
Space Saving Design



The Emissions Directive has forced the mobile machinery manufacturers to invest more machine space for additional components, such as Diesel Particle Filters (DPF), Exhaust Gas Recirculation (AGR) and Selective Catalytic Reduction (SCR). It also requires 30-50% more of the cooling performance. Functional components must be integrated in order to create the additional space. The plastic tank packages provide a space saving solution for mobile machines, as the tank can be designed flexibly to suit all kinds of installation space.

Maximum Deaeration Results

In conjunction with the issue of reducing tank size, deaeration becomes a bigger challenge due to limited air separation of the tanks. "Air-in-oil" often leads to system complications, such as cavitation, noise, oil ageing, forming and leakage, temperature increase, decreased filter and pump performance, etc. The customized tank solution we provide not only can maximize the space utilization, but is also individually investigated for each system to achieve the best possible deaeration result. Our experienced engineers can help you to determine existing sources of air ingress. A complete tank system is then custom designed utilizing hydraulic-oriented design tools, such as FEM Analysis and CFD Flow Simulation.



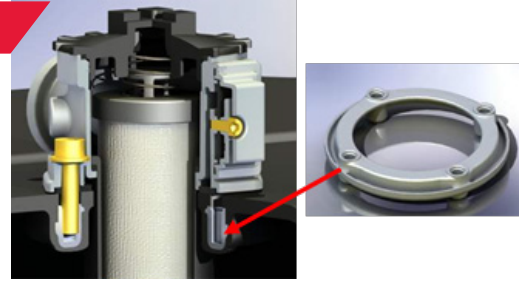
Schroeder
INDUSTRIES

580 West Park Road | Leetsdale, PA 15056
ph. 724.318.1100 | fax 724.318.1200

www.schroederindustries.com

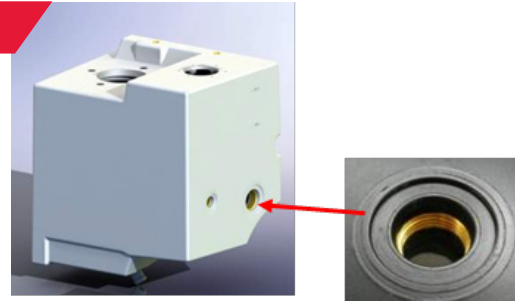
Leak Proof

The patented insertion rings for filter head flange mounting ensures that no leakage through the flange connection. The tank assembly is fully tested for leakage before shipping.



Improved Component Cleanliness

Tanks are coming completely closed out of the tooling due to the rotomolding method used for tank production. The ports are machined later, and are removed from the inside of the tank by vacuum cleaning.



Low Price

Cost of the tank only depends on the volume, not the complexity of the design. In addition, the ready-to-install package can save the customer both time and money due to the reduction of logistic, assembly and testing cost.

Additional Benefits

- Light weight
- Shock resistant
- No risk of corrosion
- Private labeling possible

Technical Data

Material:	Cross linked polyethylene (XLPE) nylon *Dependant on application
-----------	---

Temperature Range:	up to 220° F (105° C)
--------------------	-----------------------

Volume:	*Dependant on application
---------	---------------------------

Notes: *PA6 Material must be painted or placed in a location out of direct sunlight to avoid UV degradation.

Further Information: To be able to prepare an offer, we require the application requirements, projected annual usage, drawings of existing tank(s) and physical design constraints or recommendations.