

# SAB22 and SABS22 Breathers



**SAB22**

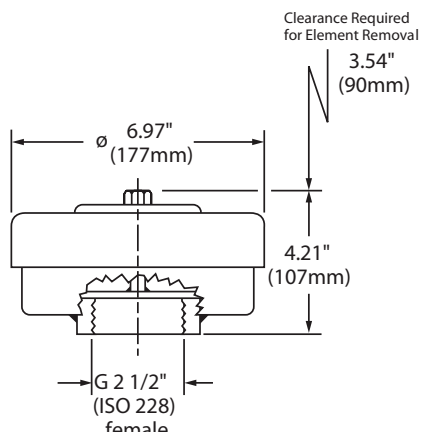


**SABS22**

## Specifications:

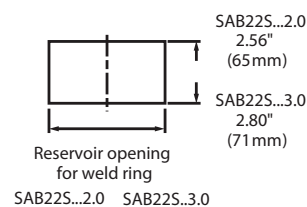
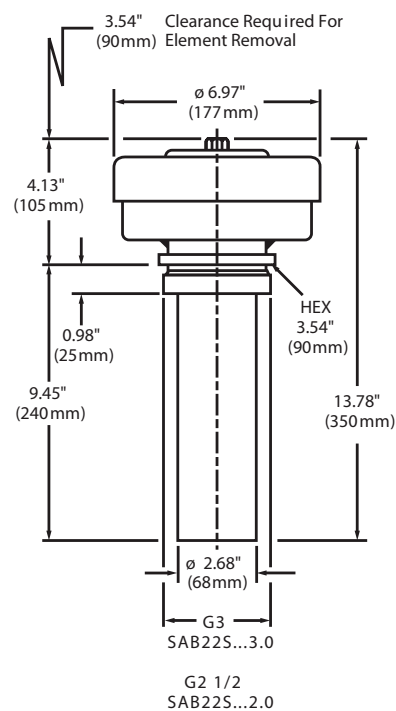
- Max Flow Rate 220 SCFM / 1600 GPM
- Steel housing
- 3µm filtration rating
- Replaceable element
- G2 1/2" female threaded connection
- Phenolic resin impregnated filter element
- Removable lid to access fill port

## Dimensions:



**SAB22**

## Dimensions:



**SABS22**

**Schroeder**  
**INDUSTRIES**

580 West Park Road | Leetsdale, PA 15056  
ph. 724.318.1100 | fax 724.318.1200

## How to Build a Valid Model Number for a Schroeder SAB22:

BOX 1	BOX 2	BOX 3	BOX 4	BOX 5	BOX 6
<input type="text"/>	<input type="text"/>	<input type="text"/>	<input type="text"/>	<input type="text"/>	<input type="text"/>

Example: Note: Only one option per box

BOX 1	BOX 2	BOX 3	BOX 4	BOX 5	BOX 6	
SAB22	R	G	3	N	2.5	= SAB22RG3N2.5

## Model Code for the SAB22:

Box 1	Box 2	Box 3	Box 4	Box 5
<b>Model Number</b>	<b>Replacement Elements</b>	<b>Connection Type</b>	<b>Filtration Rating</b>	<b>Gauge Option</b>
SAB22	R = Replaceable Elements	G=BSPP	3	N = No Gauge

Box 6
<b>Connection Size</b>
2.5 - Female BSPP

## Model Code for the SABS22:

Box 1	Box 2	Box 3	Box 4	Box 5
<b>Model Number</b>	<b>Replacement Elements</b>	<b>Connection Type</b>	<b>Filtration Rating</b>	<b>Gauge Option</b>
SABS22	R = Replaceable Elements	G= BSPP	3	N = No Gauge

Box 6
<b>Connection Size</b>
2.5 - Female BSPP

Replacement Elements: R-SAB22-3