

Plastic Tank Package Solution

Description

Many customers are increasingly interested in system solutions due to assembly, testing and warranty now becoming the responsibility of the supplier. With our proven plastic tank systems, Schroeder offers a competent and efficient solution. The Plastic Tank Package Solution comes complete with all accessories installed. It is a complete system that can be connected to a circuit, filled with fluid and used immediately upon arrival.



Features

- **Materials: Polyamide (PA6)**
- **Maximum operating temperature of 220°F (105°C)**
- **Tank volumes: 12 gal (45L), 18 gal (70L) or 25 gal (100L)**
- **Filtration ratings and materials:**
 - Return line filter: 10 µm absolute
 - Breather: 3 µm paper liner
 - Suction filter: 125 µm wire mesh

Benefits

- **Patented insertion ring for filter head flange mounting**
No leakage through the flange connection
- **Patented integrated baffle wall**
Settling zone for returning oil (degassing) with simultaneous cooling effect
- **Low weight**
Requirement of vehicle designers
- **No risk of corrosion**
- **Shock and impact-resistant**
- **Optimum price/performance ratio**
- **No assembly and testing**
Delivered completely assembled with all attachments
 - return line filter
 - breather
 - oil level indicator
 - standard fittings
- **Tested for leakage**
- **Saving of time-consuming flushing processes**
High degree of cleanliness during production of the tank assembly

Usage Information

Plastic tanks are generally used when a light and space-saving design is required, which is typically the case for mobile hydraulics. Of course, the tanks are just as suited to stationary applications.

Schroeder
INDUSTRIES

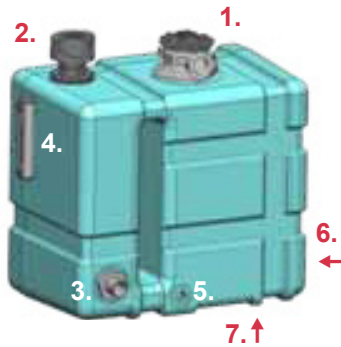
Advanced Fluid Conditioning Solutions®

580 West Park Road | Leetsdale, PA 15056
ph. 724.318.1100 | fax 724.318.1200



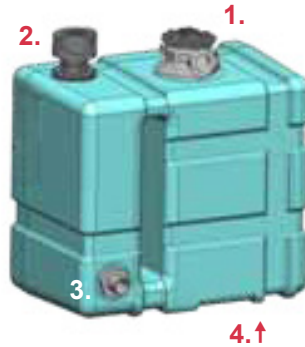
Extended Models

1. Return line filter
2. Filler breather
3. Suction filter
4. Fluid level indicator
5. Additional return line connection: G½
6. Further return line filter: G1
7. Drain G½

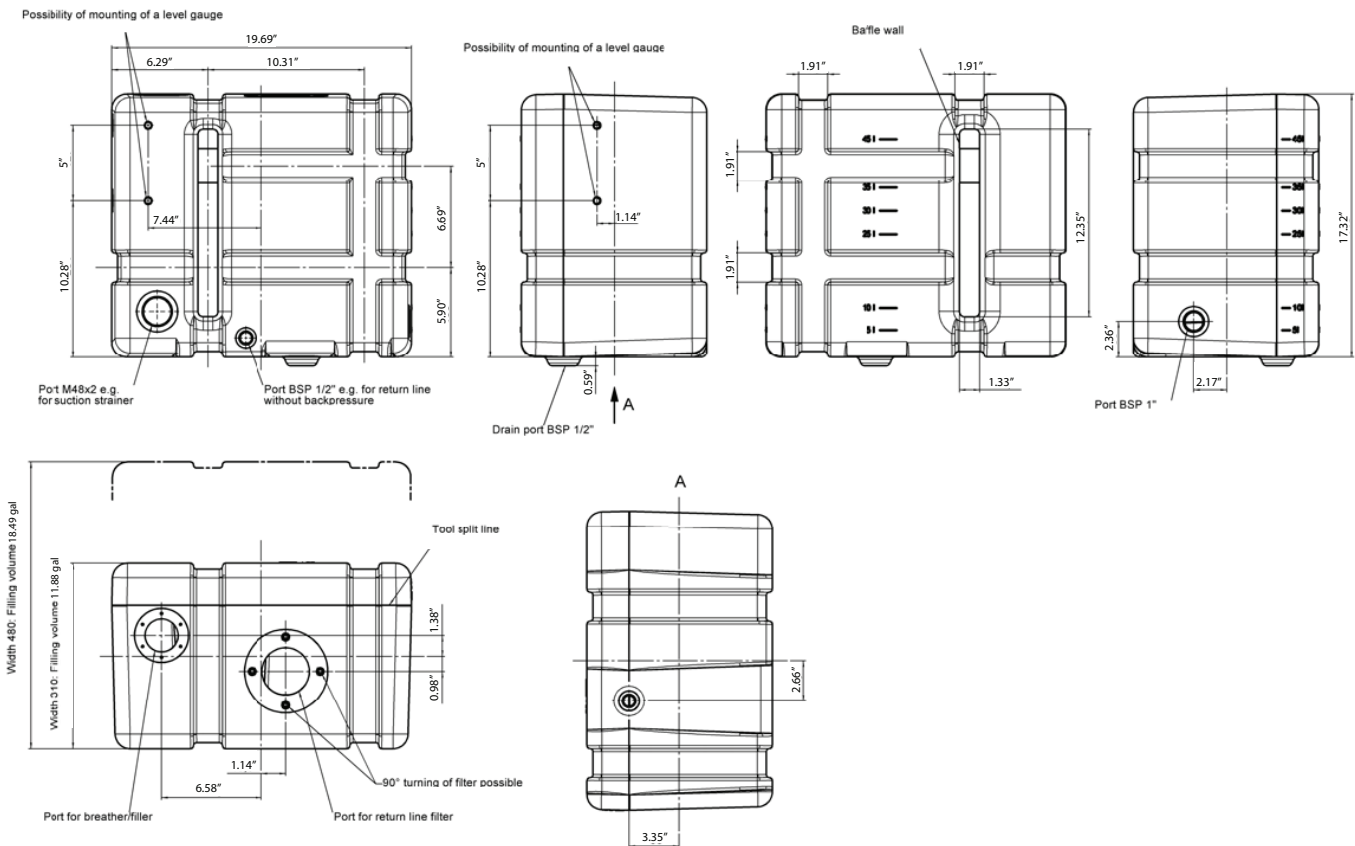


Basic Models

1. Return line filter
2. Filler breather
3. Suction connection
4. Drain G 1/2



Installation Diagram



Notes: *PA6 Material must be painted or placed in a location out of direct sunlight to avoid UV degradation.

**Contact factory for pricing information.