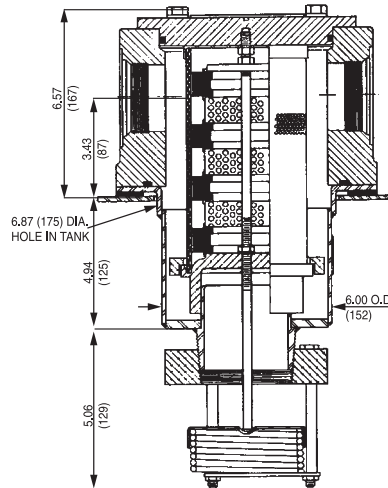


# Tank-Mounted Magnetic Suction Separators

## Features and Benefits

- Protects components downstream by capturing potentially harmful ferrous particles



BFT-SKB

ST

TF-SKB

KF3-SKB

BFT-SKB

Flow Rating: 75 gpm (285 L/min)

Element Replacement with check valve: A-SKB-3-76  
Part Number: without check valve: SKB-3

Element Change Clearance: 13.5" (345 mm)

Weight of BFT-SKB: 32.0 lbs (14.5 kg)

## Specifications



INDUSTRIAL



MOBILE  
VEHICLES

## Applications

# Tank-Mounted Magnetic Suction Separators

## Filter Model Number Selection

### How to Build a Valid Model Number for a Schroeder BFT-SKB:

BOX 1	BOX 2	BOX 3	BOX 4	BOX 5
BFT-SKB	-	-	-	-

**Example:** *NOTE: One option per box*

BOX 1	BOX 2	BOX 3	BOX 4	BOX 5
BFT-SKB	-	P	-	Y
<b>= BFT-SKBPY</b>				

BOX 1	BOX 2	BOX 3	BOX 4
<b>Filter Series</b>	<b>Seal Material</b>	<b>Porting</b>	<b>Other Options</b>
BFT-SKB	Omit = Buna N	P = 2½" NPTF PP = Dual 2½" NPTF F = 2½" SAE 4-bolt flange Code 61 FF = Dual 2½" SAE 4-bolt flange Code 61	Omit = None C = Check valve

BOX 5	
Dirt Alarm® Options	
	Omit = None
Visual	Y = Vacuum gauge YR = Vacuum gauge on opposite side of standard location
Electrical	VS = Electric vacuum switch VSR = Electric vacuum switch on opposite side of standard location VS1 = Heavy-duty vacuum switch

<b>Notes</b>	

**NOTE:**  
Box 1. See specifications on previous page for element replacement part numbers.