



Fuel Filtration

For Immediate Release

SCHROEDER INDUSTRIES INTRODUCES

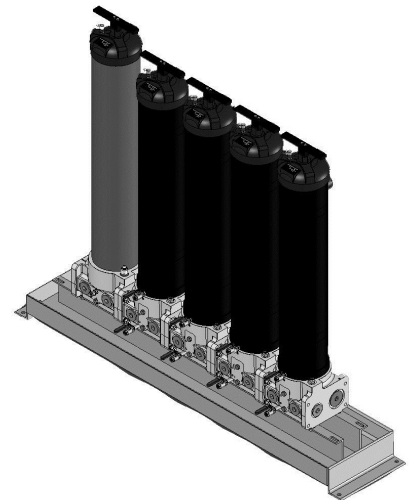
Bulk Diesel Multi-Skid | BDS4

June 2016 | Leetsdale, PA

Leetsdale, PA - Schroeder Industries, a recognized leader in filtration and fluid conditioning products, releases the Bulk Diesel Fuel Filter Skid for flow rates up to 280 gpm | BDS4.

The Bulk Diesel Skid (BDS) family, consisting of the BDS (up to 70 gpm), BDS2 (up to 140 gpm) and BDS3 (up to 210 gpm), has been expanded with the BDS4 (up to 280 gpm). The BDS4 incorporates one particulate filter and four coalescing filters for high efficiency single-pass particulate and water removal.

The BDS4, like the other three units, is available with optional Water Sump Heater and Automatic Water Drain with 5 or 20 gallon remote sump.



BDS4

About Schroeder Industries

Schroeder Industries, an ISO 9001: 2008 certified company, designs, manufactures and markets filtration products for the hydraulic and lubrication, filter systems, process and fuel industries. Their expertise in filtration technology, superior filter and element technology capabilities, dedication to customer service and product support are the reasons Schroeder is a worldwide leader in Advanced Fluid Conditioning Solutions®.

Contact: Fueiltrationmanager@schroederindustries.com

For further information about Schroeder Industries and its products, please call 724-318-1100 or visit: www.schroederindustries.com

Schroeder Industries | 580 West Park Road | Leetsdale | PA | 15056