

## Applications



POINT OF USE  
FUEL DISPENSING



FLEET FILL / BULK FUEL  
TRANSFER



BULK FUEL  
UNLOADING



PROTECTION FOR  
HIGH-FLOW FUEL  
INJECTION SYSTEMS



BULK TANK  
KIDNEY LOOP /  
RECIRCULATION

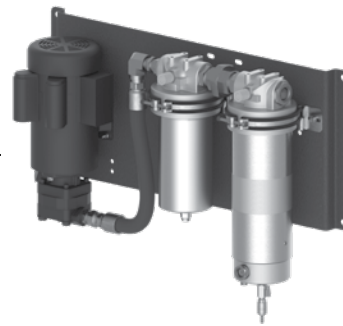
### Application Introduction:

A simple turn-key stationary fuel filtration system

The BDFP provides a simple turn-key stationary fuel filtration system for exceptional fuel transfer, polishing, and dispensing applications. Both filters combine Schroeder's fully synthetic Z-Media® in a particulate pre-filter, the GHPF, with our patent-pending coalescing water removal filter, the GHCF, to fully protect vital diesel engine components from dirt and water. The BDFP provides premium filtration in a simple system which can easily be integrated into new and existing fuel storage systems.

## Features and Benefits

- Turn-key coalescing and filtration system, for use as a fuel transfer, polishing, and dispensing solution
- Incorporates high-efficiency particulate and water removal filtration into a stationary mounted system with pump
- Available with either electrical or air operated pump options for more system flexibility
- GHPF and GHCF filter housings use patented GeoSeal® elements
- All-aluminum filter housings are fully compatible with diesel and biodiesel
- Minimal clearance needed for element service, ideal for enclosure installations
- Routine element change only needed on GHPF particulate filter, reducing operating cost
- Patent-pending, three-phase particulate, coalescing and fuel/water separation media technology
- A revolutionary element designed for the highest single-pass water and particulate removal efficiencies in today's ultra-low sulfur diesel (ULSD) fluids
- Protects expensive Tier III and Tier IV engine components against failures caused by particulate and water transferred from the fuel storage tanks to the equipment
- Allows users to achieve or exceed the particulate and water removal specifications of the injection system OEMs



Model no. of filter in photograph  
is: BDFP11GGZ3CH5VD514

14 or 25 gpm<sup>ICF</sup>

53 or 95 L/min<sup>DF</sup>

B DFA

B DA

G H P F

G H C F

Q C F

B D S

B D S 2

B D S 3

B D S 4

L V H - F

L V H - C

B D F C

**B D F P**

B D C

H D P

H D P D

B C C

## Markets



INDUSTRIAL



MOBILE  
VEHICLES



MARINE



MINING  
TECHNOLOGY



AGRICULTURE



POWER  
GENERATION



COMMON RAIL  
INJECTOR SYSTEMS



FLEET



RAILROAD



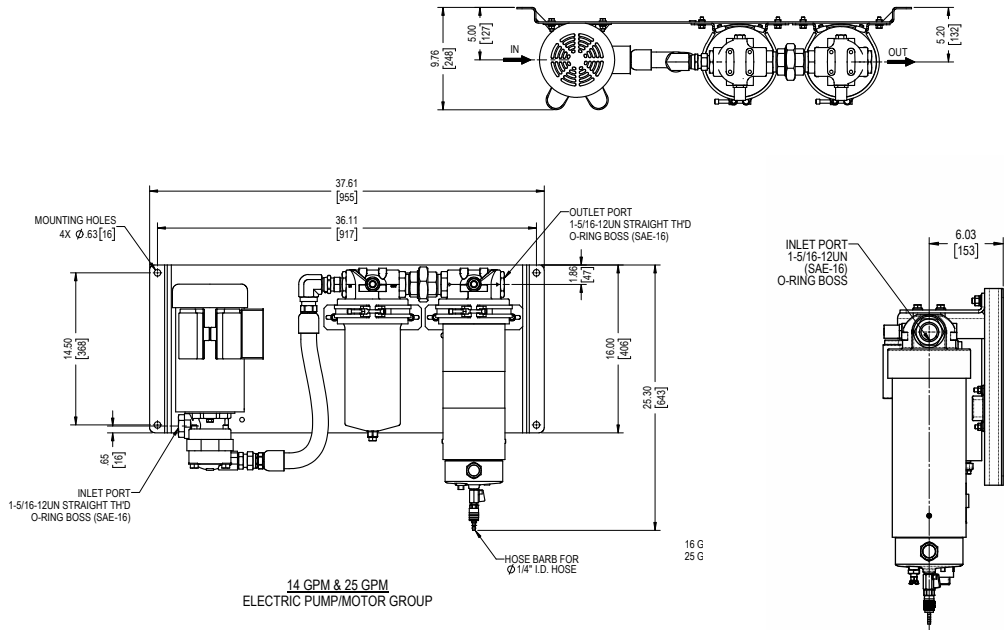
BULK FUEL  
FILTRATION

## Filter Housing Specifications

Flow Rating:	Electric Motor Option: 14 gpm or 25 gpm (53 or 95 L/min) Air Operated Option: 16 or 25 gpm (53 or 95 L/min)	
Ambient Temperature Range:	32°F to 104°F (0°C to 40°C) Standard; -20°F to 104°F (-29°C to 40°C) Heater Option	
Bypass Indication:	<b>Particulate Filter</b>	<b>Coalescing Filter</b>
	Electric Motor: 35 psi (2.4 bar) Air Operated: 25 psi (1.7 bar)	Electric Motor: 35 psi (2.4 bar) Air Operated: 15 psi (1.0 bar)
Bypass Valve Cracking:	<b>Particulate Filter</b>	<b>Coalescing Filter</b>
	Electric Motor: 40 psi (2.8 bar) Air Operated: 30 psi (2.1 bar)	Electric Motor: 40 psi (2.8 bar) Air Operated: 20 psi (1.4 bar)
Materials of Construction:	<b>Particulate Filter</b>	<b>Coalescing Filter</b>
	Porting Head: Cast Aluminum, Anodized	Porting Head: Cast Aluminum, Anodized
	Element Bowl: Aluminum, Anodized	Element Bowl: Aluminum, Anodized
	Sump: Cast Aluminum, Anodized	
Weight:	130 - 150 lbs. (59 - 68 kg)	
Element* Change Clearance:	GHPF: 2" (51 mm)	
	GHCF: 4" (102 mm)	
Operating Frequency:	60 Hz	
Operating Phase:	Single	
Full Load Amperage @ Operating Voltage:	13.4 A @ 115 VAC	
	7.2-6.7 A @ 208-230 VAC	
Service Factor Amperage @ Operating Voltage:	15.2 A @ 115 VAC	
	8.1-7.6 A @ 208-230 VAC	

\*Elements sold with the filter system

## Electric Motor Option



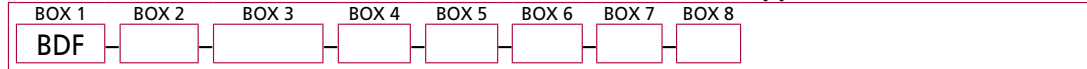
Metric dimensions in ( ).  
Dimensions shown are inches [millimeters] for general information and overall envelope size only.  
For complete dimensions please contact Schroeder Industries to request a certified print.



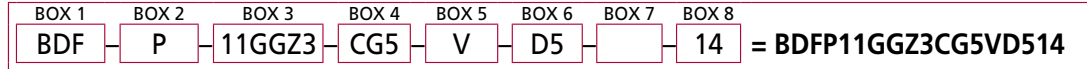
## Filter Model Number Selection

Highlighted product eligible for **QuickDelivery**

### How to Build a Valid Model Number for a Schroeder BDFP Supplied with Elements:



Example: NOTE: One option per box



BOX 1	BOX 2	BOX 3	BOX 4
<b>Filtration</b>	<b>Configuration</b>	<b>Particulate Filtration</b>	<b>Coalescing Filtration</b>
BDF	P = Panel Mount	11GGZ1 = 1 µm 11GGZ3 = 3 µm	CG5 = C125GZ5V Coalescing Element

BOX 5	BOX 6
<b>Seal Material</b>	<b>Dirt Alarm®</b>
V = Viton®	D5 = Visual Pop-up, Manual Reset

BOX 7	BOX 8
<b>Options</b>	<b>Pump Sizing and Configuration</b>
Omit = Sight Glass (standard) U = Downstream Test Point T = Water-In-Fuel (WIF) sensor only I = WIF sensor w/ remote mount light indicator H = Coalescing sump heater S5 = 5 gal. sump tank* S20 = 20 gal. sump tank* AWD5 = Auto. water drain w/ 5 gal. remote tank* AWD20 = Auto. water drain w/ 20 gal. remote tank*	14 = 14 gpm 120VAC 60Hz Single-Phase 25 = 25 gpm 120VAC 60Hz Single-Phase 16 = 16 gpm Air Driven Pump 25A = 25 gpm Air Driven Pump

\*only to be used in applications above 32°F (0°C)

**Filtration Ratio per ISO 16889**  
Using APC calibrated per ISO 11171

Particulate Elements	DHC(g)	$\beta_x (c) \geq 200$	$\beta_x (c) \geq 1000$
11GGZ1V	172	<4.0	4.2
11GGZ3V	148	<4.0	4.8

Coalescing Element	Pressure Side Coalescing	
	Max Flow	Single Pass Water Removal Efficiency
C125GZ5V	25 gpm	≥ 95%

Note:

Based on ULSD15 with 27 Dynes/cm surface tension and 0.25% (2500) water injection

#### Particulate Element

Flow Direction: Outside In  
Element Nominal Dimensions: 5.0" (27 mm) O.D. x 11" (279 mm) long

#### Coalescing Element

Flow Direction: Inside Out  
Element Nominal Dimensions: 5.0" (27 mm) O.D. x 12" (305 mm) long

#### Fuel Oils

- ULSD15, low sulfur diesel and high sulfur diesel
- Biodiesel blends
- Synthetic diesel and blends
- No. 2 fuel oil and heating oil

NOTES:  
For configurations not listed, please contact factory

Box 3.  
Viton® is a registered trademark of DuPont Dow Elastomers.

Box 7.  
Only box that will allow a combination of options.

## Element Part Number Selection

Highlighted product eligible for **QuickDelivery**

## Fluid Compatibility