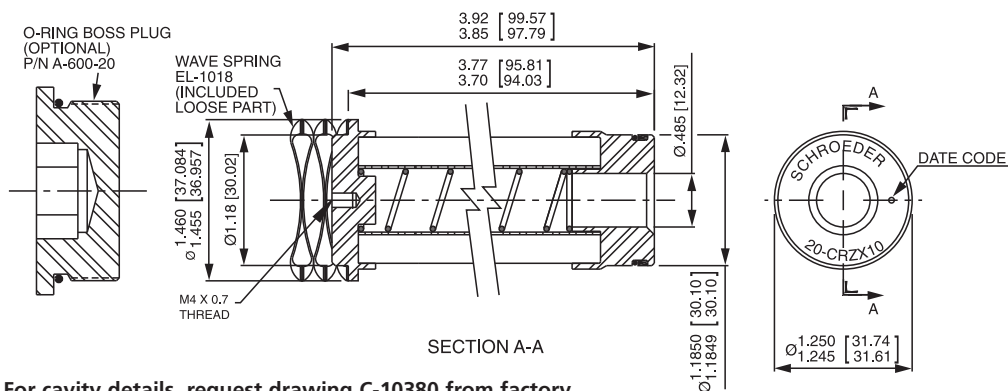


20-CRZX10

Cartridge Element

20-CRZX10



Applications/ Features



INDUSTRIAL



MOBILE VEHICLES

- Cartridge filters are designed to be mounted directly in the manifold
- Withstands high pressure surges—3000 psi (210 bar) collapse rating

NOTE: Code 20 denotes SAE straight thread size.

Element Specifications

Model Number	Flow	Pressure
20-CRZX10	12 gpm (45 L/min)	3000 psi (210 bar) collapse

Element Performance Information

Element	Filtration Ratio Per ISO 4572/NFPA T3.10.8.8 Using automated particle counter (APC) calibrated per ISO 4402			Filtration Ratio wrt ISO 16889 Using APC calibrated per ISO 11171	
	$\beta_x \geq 75$	$\beta_x \geq 100$	$\beta_x \geq 200$	$\beta_{x(c)} \geq 200$	$\beta_{x(c)} \geq 1000$
ZX10	7.4	8.2	10.0	8.0	9.8

Contact factory for other media options.

Filter Housing Specifications

Max. Operating Pressure:	3000 psi (210 bar)
Temp. Range:	-20°F to 225°F (-29°C to 107°C)
Element Change Clearance:	20-CRZX10: 3.50" (90 mm)

Model Number Selection

Series	Plug Option
20-CRZX10	Omit = No Plug P = Plug

Element Selection Based on Flow Rate

Pressure	Element Series	Element Part No.	Element selections are predicated on the use of 150 SUS petroleum based fluid.				
To 3000 psi (210 bar)	Z-Media	20-CRZX10	20-CRZX10				
Flow			gpm	0	5	10	15
			(L/min)	0	25	50	

Notes